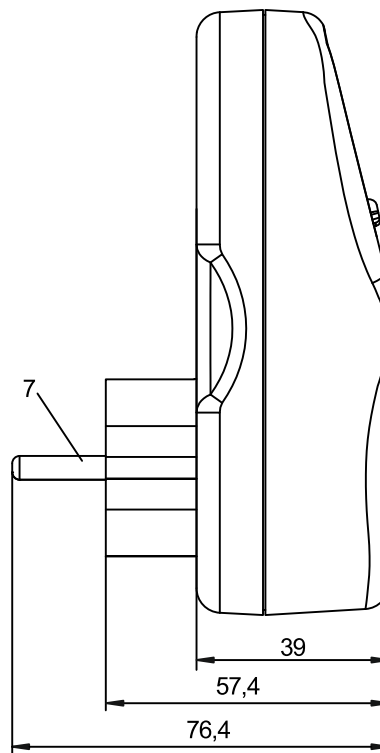
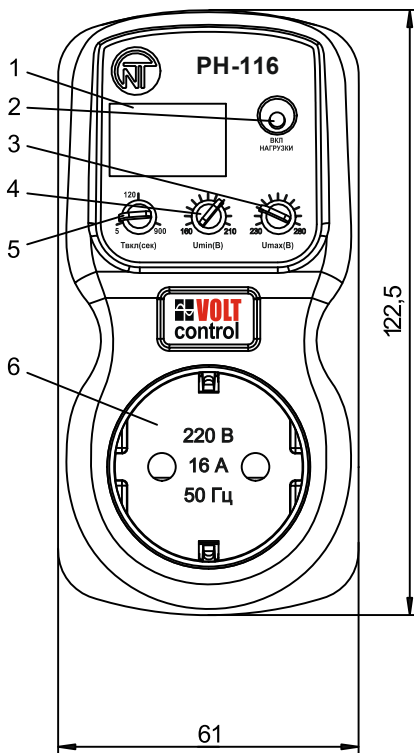


# DOMESTIC AND INDUSTRIAL APPLIANCE PROTECTION

## RN-116



- 1- tricharged seven-segment indicator
- 2- load switch indicator
- 3- maximum voltage adjustment
- 4- minimum voltage adjustment
- 5- AR time adjustment
- 6- output contacts
- 7- input contacts

**Faceplate and overall dimensions**

**TECHNICAL BRIEF**

Rated voltage, V	220 – 240
Rated voltage frequency, Hz	47 – 65
Harmonical configuration (nonsinusoidality) of power supply voltage	EN 61000-3-2
Protection degree apparatus	IP30
Protection class against electric shock	I
Permissible contamination level	II
Overvoltage category	II
Adjustment ranges: - minimal voltage tripping range ( <b>U<sub>min</sub></b> ), V - maximal voltage tripping range ( <b>U<sub>max</sub></b> ), V - autoreclosing time delay ( <b>T<sub>on</sub></b> ), sec	160 – 220 230 – 280 5 – 900
Fixed tripping time delay in case maximal voltage fault ( <b>U<sub>max</sub></b> ) detected, sec	1
Fixed tripping time delay in case minimal voltage fault ( <b>U<sub>min</sub></b> ) detected, sec	7
Fixed tripping time delay in case of voltage decrease more than 60V than the adjusted minimal voltage tripping threshold ( <b>U<sub>min</sub></b> ) or at voltage reduction to less than 145 V, sec	0.12
Fixed tripping time delay in case of voltage increase more than 30V than the adjusted maximal voltage tripping threshold ( <b>U<sub>max</sub></b> ) or at voltage of over 285 V, sec	0.12
Fixed tripping time at pulsed voltage build-up to over 420 V at pulse duration of over 1.5 msec, sec, not more	0.02
Maximal commutation current (active power load), A (no less than)	16
U tripping threshold determination accuracy, V	up to 3
Minimal operation voltage level at which RN-116 will keep working (present value), V	120
Maximal operation voltage level at which RN-116 will keep working (present value), V	400
Rated voltage of insulation, V	450
Voltage hysteresis, V (no less than)	4
Operational temperature range, °C	from -20 to + 45
Storage temperature, °C	from -45 to + 60
Total power consumption, mA	up to 15
Commutation life of the output contacts: - under 16A power load, times (no less than) - under 5A power load, times (no less than)	100 000 1 000 000
Outer dimensions, (2 S-modules), mm	Figure 1
Weight, kg, no less than	0.160
Mounting to standard 35mm DIN rail	

**RN-116 "Volt Control"** complies with requirements:

IEC 60947-1; IEC 60947-6-2; CISPR 11; IEC 61000-4-2.

No harmful substances in excess of the maximum permissible concentration is available.

The relay may be in one of the following conditions:

- normal operation;
- voltage faults;
- AR time delay.